

IP68

10.4 Inch

1024 x 768



## IP68-PW17 Series

Intel® Celeron j1900 Processor-Based Industrial Touch Panel All in One PC

### Key Features:

- Industrial grade 10.4 inch LED, fully IP68 protection
- Rich I/O: 2 x COM RS232, RS485, 2 x LAN, 3 x USB2.0
- 4GB/8GB DDR3L Memory
- 128G SSD installed
- Embedded Expansion: Mini PCIe for WiFi/4G, with SIM slot onboard

### Specifications:

Mechanical	Waterproof Level	Fully IP68, full waterproof aviation head connector
	Material	Aluminum alloy
	Opening Size	274 x 221mm (L x W)
	Measurement	288 x 235 x 44mm
	Weight	3.5Kgs
Processor	Installation Method	Embedded/wall-mounted/desktop/cantilevered
	CPU	Intel® Celeron j1900
Memory	Watchdog Timer	255 levels
	Type	DDR3L
	Socket	1 x SO-DIMM
LCD	Max Size	4/8GB
	Display Type	10.4 Inch LED
	Resolution	1024 x 768
	Lumens(cd/m2)	350
Touch Panel	Contrast	900
	Touch Type	Original imported resistive touch screen
Storage	Durability	>35 million times
	Socket 1	128G SSD
Function	Auto Power On	Enabled
Operation System	Windows	Windows 10 Pro (64-bit)
	Linux	Support
Power	Power Type	12V4A DC-IN for testing
Environment	Operating Temperature	-20℃~60℃ surface air flow
	Working Humidity	No request
Certification		CE, FCC, Rohs

### Figure:

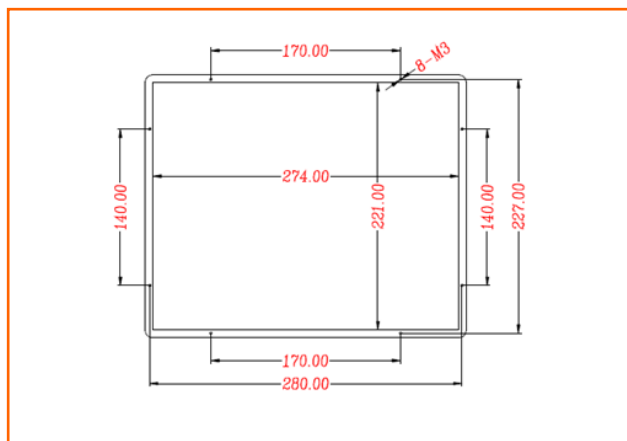
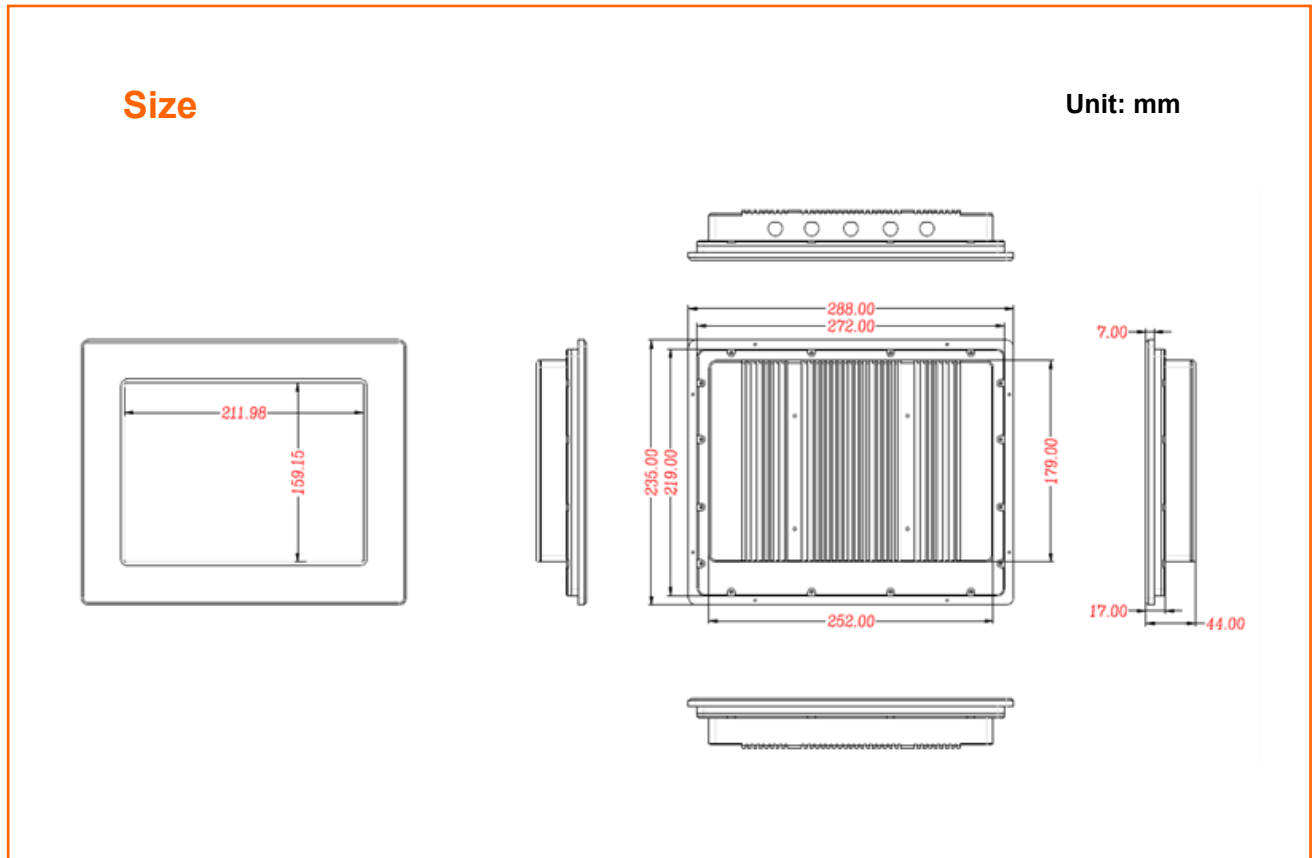


### Ordering Information:

Model	CPU
PW17-J1900-4	Intel® Celeron® Processor J1900
PW17-J1900-8	Intel® Celeron® Processor J1900



## PW17- Install Illustration



### PW17- Opening Hole Size

**274 x 221mm**